

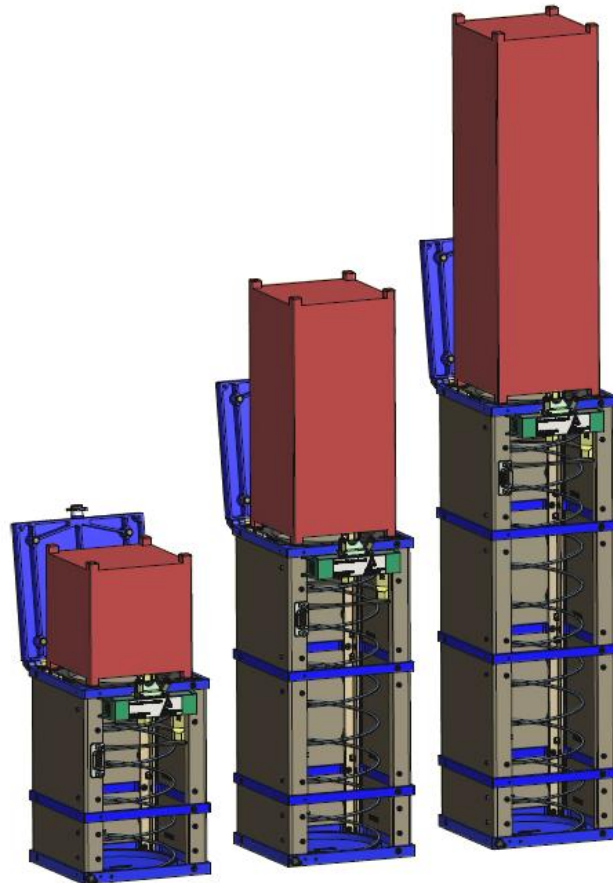


**Astro-
und Feinwerktechnik
Adlershof GmbH**

Space technology
Structures and Mechanisms

Albert-Einstein-Str.12
D-12489 Berlin

Phone: +49- 30- 6392 1000
Fax: +49- 30- 6392 1002
Internet: www.astrofein.com



No bouncing of the
CubeSat inside the PSL

PATENTED

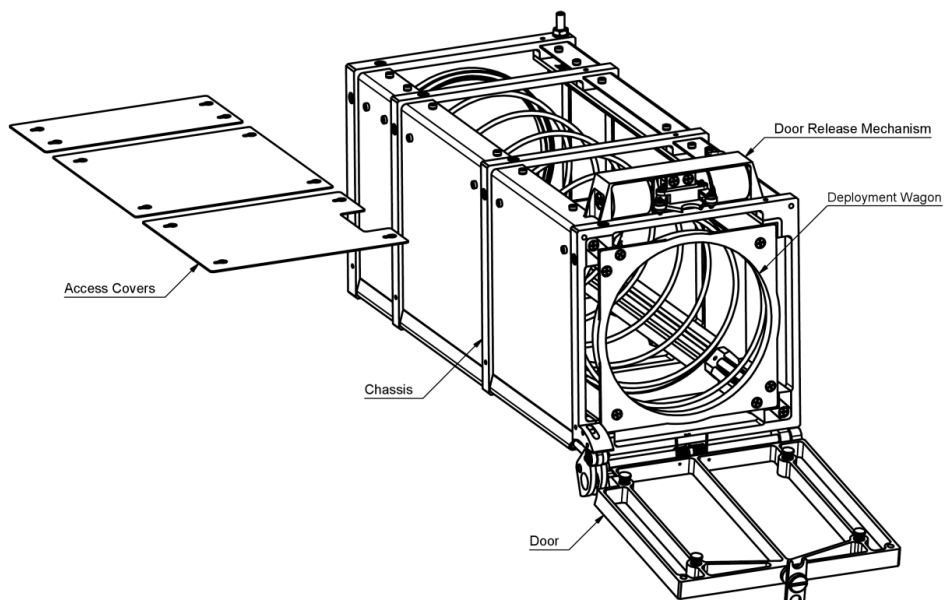
CubeSat release after
open door locking

PSL PicoSatellite Launcher

PSL are **flight proven** deployment mechanisms for CubeSats

- **Deployer for 1U, 2U and 3U CubeSats and combinations**
- **Flight proven non-explosive lock and release mechanism**
- **Redundancy in actuation and deployment confirmation signal**
- **Fixation of the CubeSat in X,Y and Z during launch (patented)**
- Closed envelope for high safety
- Defined deployment energy and low spin rate
- Deployment is initiated when the door is completely opened and locked (patented)
- Large clearance for attachments on the CubeSat
- Access ports for maintenance on launch site
- No export restrictions
- Qualified for a variety of launch providers

A gentle transport into orbit and a reliable deployment of your CubeSat relies on skilled engineering and flight proven quality.



Parameters	Data		
Performance:	SPL (PSL-1U)	DPL (PSL-2U)	TPL (PSL-3U)
CubeSat mass	1,0 ^{+0,5} _{-0,2} kg	2,0 ^{+0,7} _{-0,4} kg	≤ 4,7kg
Mechanical:			
Mass:	< 1,03 kg	< 1,33 kg	< 1,64 kg
Typ. deployment energy:	1,1 J	2,1 J	3,1 J
Dimensions (closed PSL):	X 156.4 mm Y 125.8 mm Z 198.5 mm	156.4 mm 125.8 mm 312 mm	156.4 mm 125.8 mm 425.5 mm
Deployment pulse:			
Actuating pulse:	28 ± 4 VDC / 1s redundant deployment (actuator and electronics)		
Status signal:	analogue redundant signal (sensor and electronics)		
General			
Operation temperature range:	-30°C to +55°C		
Non-operation temperature range:	-35°C to +60°C		

All rights reserved. Subject to changes without prior notice.